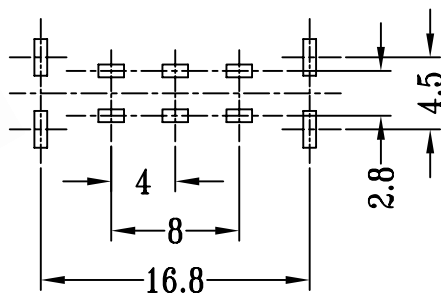
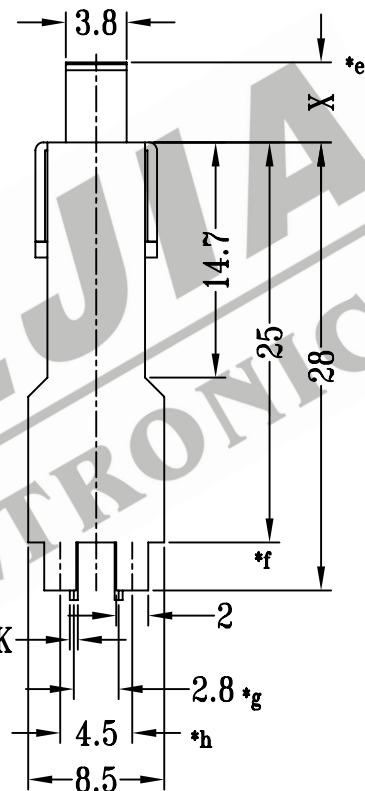
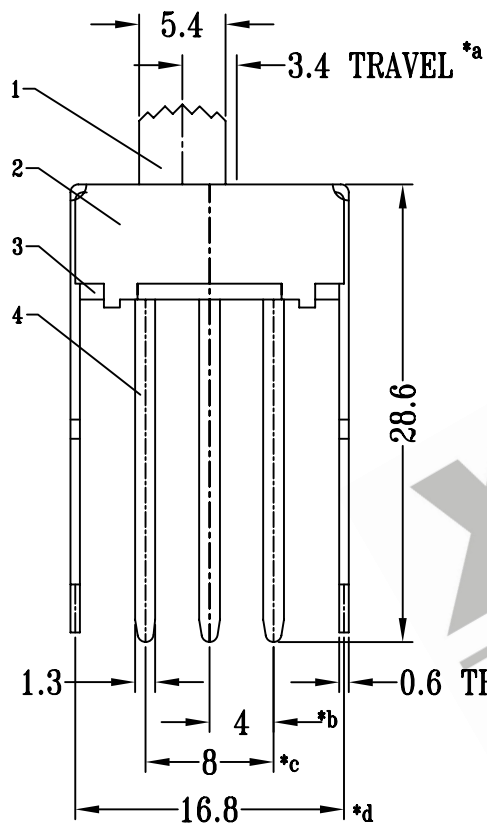
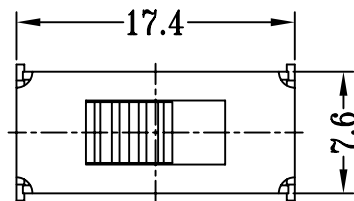


CAD FILE:



SCHEMATIC (NON-SHORTING)

P.C.B LAYOUT

注:带"*"表示关键尺寸(8个)

| | | | | | | | | | | |
|-----|--------------|----------------|------|--------------------------|---|--------------------------------------|--------------|----------------------------|-----------|-----------|
| 8 | | | | | TOLERANCE | SHENZHEN XIEJIA ELECTRONICS CO.,LTD. | | | | |
| 7 | | | | | UNLESS SPECIFIED | | | | | |
| 6 | SPRING | STEEL WIRE | 2 | TEMPER | WITHIN: 1.5±0.1mm | ISSUE | DATE | DESCRIPTIONS | | APPD. |
| 5 | CONTACT CLIP | BRASS STRIP | 2 | Ag PLATED | OVER : 1.5±0.2mm | | | | | |
| 4 | TERMINAL | BRASS STRIP | 6 | Ag PLATED OVER Ni PLATED | TITLE : VERTICAL SLIDE SWITCH | | UNIT : MM | DRWG NO.: XJ-DR-SS22F70-00 | | |
| 3 | BASE | PHENOLIC RESIN | 1 | BLACK | MODEL: SS-22F70 | | SCALE: 2 : 1 | DWN. | ZHOUYU | 2003-6-28 |
| 2 | FRAME | STEEL STRIP | 1 | Ni PLATED | ALL MATERIALS MUST BE COMPLIANT TO ROHS | | CHK'D | FANGYING | 2003-6-28 | |
| 1 | KNOB | POM | 1 | BLACK | | | APPD. | KANGXINAN | 2003-6-28 | |
| NO. | PART NAME | MATERIAL | Q'TY | FINISHING | | | | | | |